

PAMS Technical Documentation

NSM-4 Series Transceivers

Service Tools

CONTENTS

Service Box JBU-6	5
Product Code	5
View of JBU-6	5
RF Adapter RAF-5 for Service Box JBU-6	5
Service Box JBU-6 cont.	6
Pinset Cable SCD-6 for Service Box JBU-6	6
Sales Package Code	6
View of SCD-6	6
Locking Lever ALL-6 for Service Box JBU-6	6
Test Jig MJS-9	7
Product Code	7
View of MJS-9	7
Soldering Jig MJS-75	8
Product Code	8
View of MJS-75	8
Flash Battery BBF-1	9
Product Code	9
View of BBF-1	9
Flash Loading Adapter FLA-10	10
Sales package code	10
View of FLA-10	10
View of FLC-2	10
Battery Connector Extractor Tool SRT-3	11
Product Code	11
View of SRT-3	11
Flash Loading Adapter FLA-7 (Sales Pack)	12
Sales package code	12
View of FLA-7	12
Flash Prommer FPS-4S (Sales Pack)	13
Sales package code	13
View of FPS-4	13
Security Box TDF-4	14
Product Code	14
View of TDF-4	14
View of IR Data Interface Module JLP-1	14
Product Code	14
Service Cable AXS-4	15
Product code	15

View of AXS-4	15
Service Cable AXS-4U	16
Product code	16
View of AXS-4U	16
D15-D15 Cable AXS-5	17
Product Code	17
View of AXS-5	17
MBUS Cable DAU-9S	18
Product Code	18
View of DAU-9S	18
DC Cable AXD-1	19
Product Code	19
View of AXD-1	19
DC Charging Cable PCC-1B	20
Product Code	20
View of PCC-1B	20
Power Cable PCS-1	21
Product Code	21
View of PCS-1	21
DC Cable SCB-3	22
Product Code	22
View of SCB-3	22
Service Cable XMS-3	23
Product code	23
View of XMS-3	23
RF Cable XRF-1	24
Product code	24
View of XRF-1	24
RF Cable XRS-3	25
Product code	25
View of XRS-3	25
Modular T-adapter	26
Product Code	26
View of Modular T-adapter	26
Modular Cable Jack Connector	27
Product Code	27
View of Modular Cable Jack Connector	27
SW Security Device PKD-1	28
Product Code	28

View of SW Security Device 28
FLS-4 POS (Point Of Sale) Flash Device (Sales Pack) 29
Product Code 29
View of FLS-4 29

Service Box JBU-6

The Service Box JBU-6 is used:

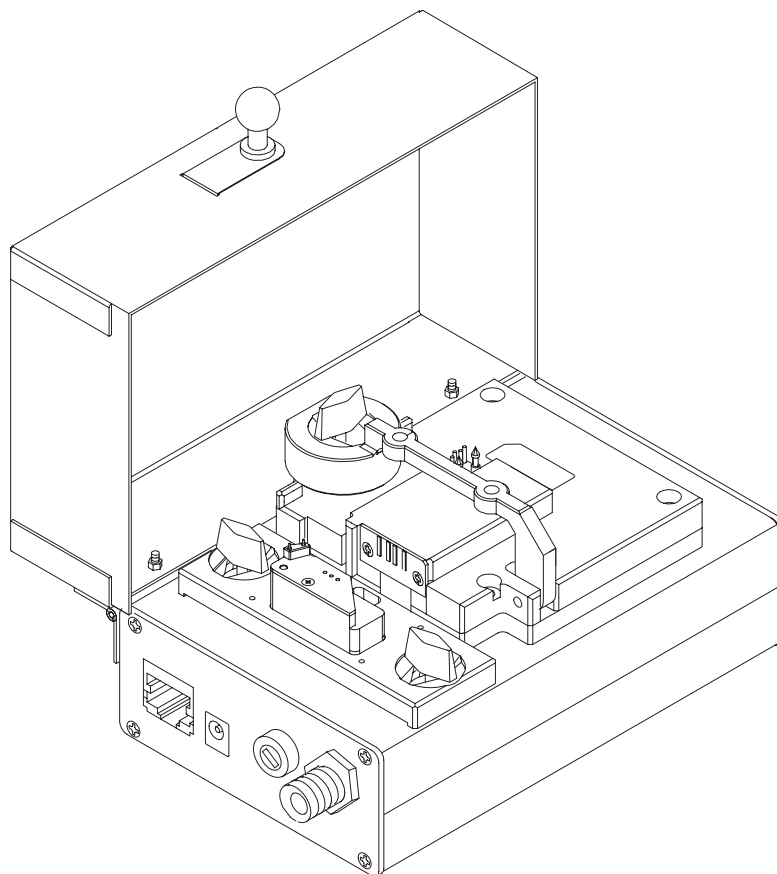
- to make connection between transceiver and FLA-5/7 for flashing
- to help functional tests
- to enable connection to test/measurement devices
- to generate accurate 4.1 and 8.4 voltage for Vbatt and Vin/Vchar lines
- to generate accurate 500mA current for charging calibration Vin line
- to generate 10 ms IBI-pulse to BTMP-line

NOTE: JBU-6 cover should be closed during measurements.

Product Code

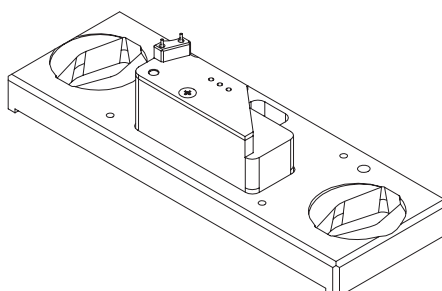
Service Box JBU-6: 0770153

View of JBU-6



RF Adapter RAF-5 for Service Box JBU-6

RF Adapter RAF-5: 0775302



Service Box JBU-6 cont.

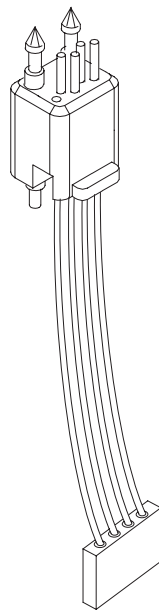
Pinset Cable SCD-6 for Service Box JBU-6

Spare part for JBU-6.

Sales Package Code

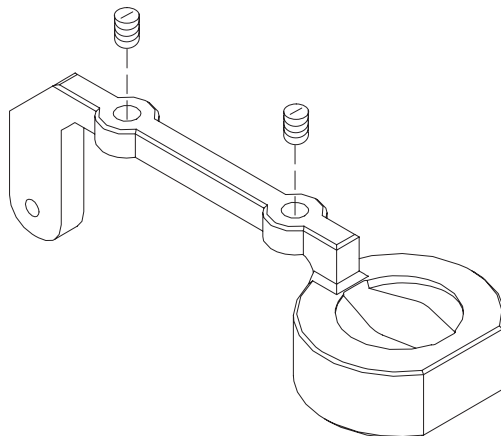
Pinset Cable SCD-6: 0080329

View of SCD-6



Locking Lever ALL-6 for Service Box JBU-6

Locking Lever ALL-6: 0770396



Test Jig MJS-9

The Test Jig MJS-9 is used for repair of system/RF module*. The zoom in picture contains two changeable over voltage protection components:

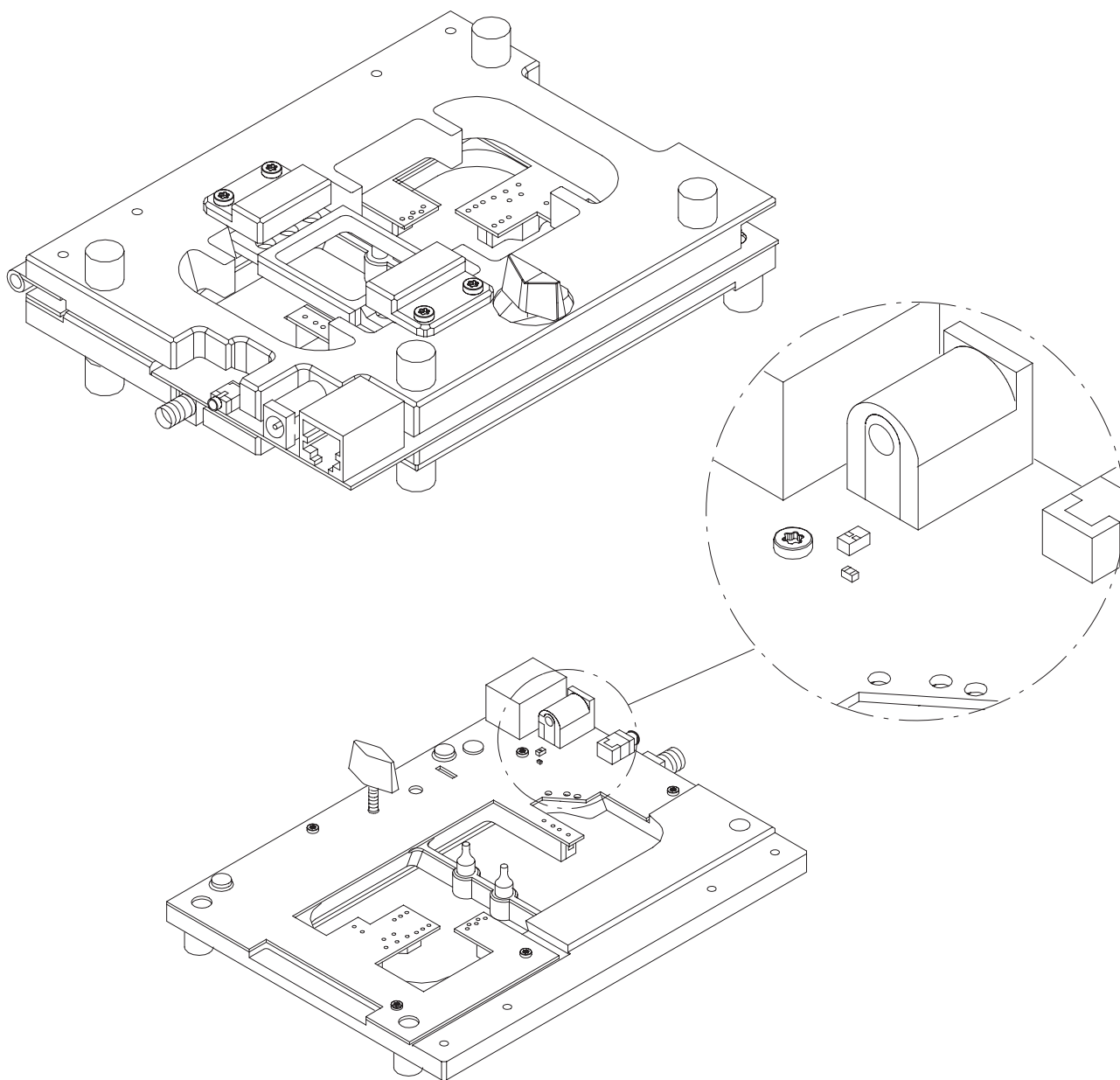
SM Fuse F2.0 A 32V 1206 F 001 T 5119002 (larger of the two)

VWM 5.6V VC15.5 R 008 T 1825019

Product Code

Module Jig MJS-9: 0770154

View of MJS-9



*Note: The nominal supply voltage for MJS-9 is +8.0 V.
The supply voltage must not exceed +15.0 V.
(MJS-9 has overvoltage protection).

Soldering Jig MJS-75

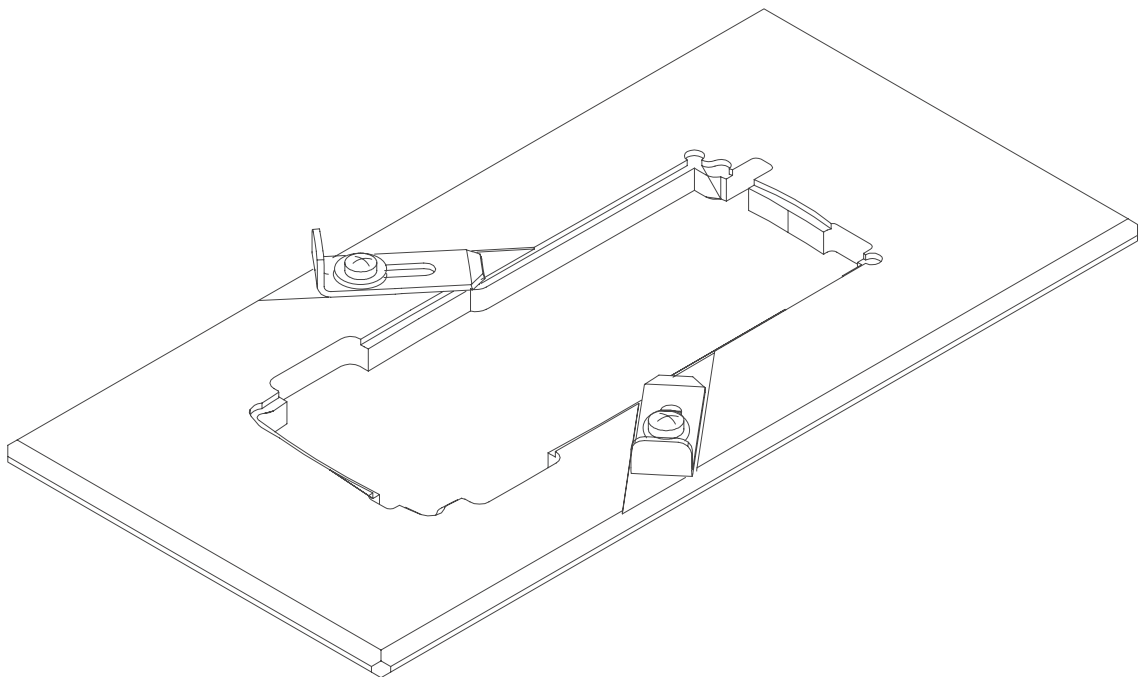
The Soldering Jig MJS-75 is used for soldering (in automatic soldering machines) and as a rework jig for system module, if special fixtures (like extra feet) are used.

Product Code

Module Jig MJS-75:

0770233

View of MJS-75



Flash Battery BBF-1

The Flash Battery BBF-1 is used in place of the phone's normal battery during flashing.

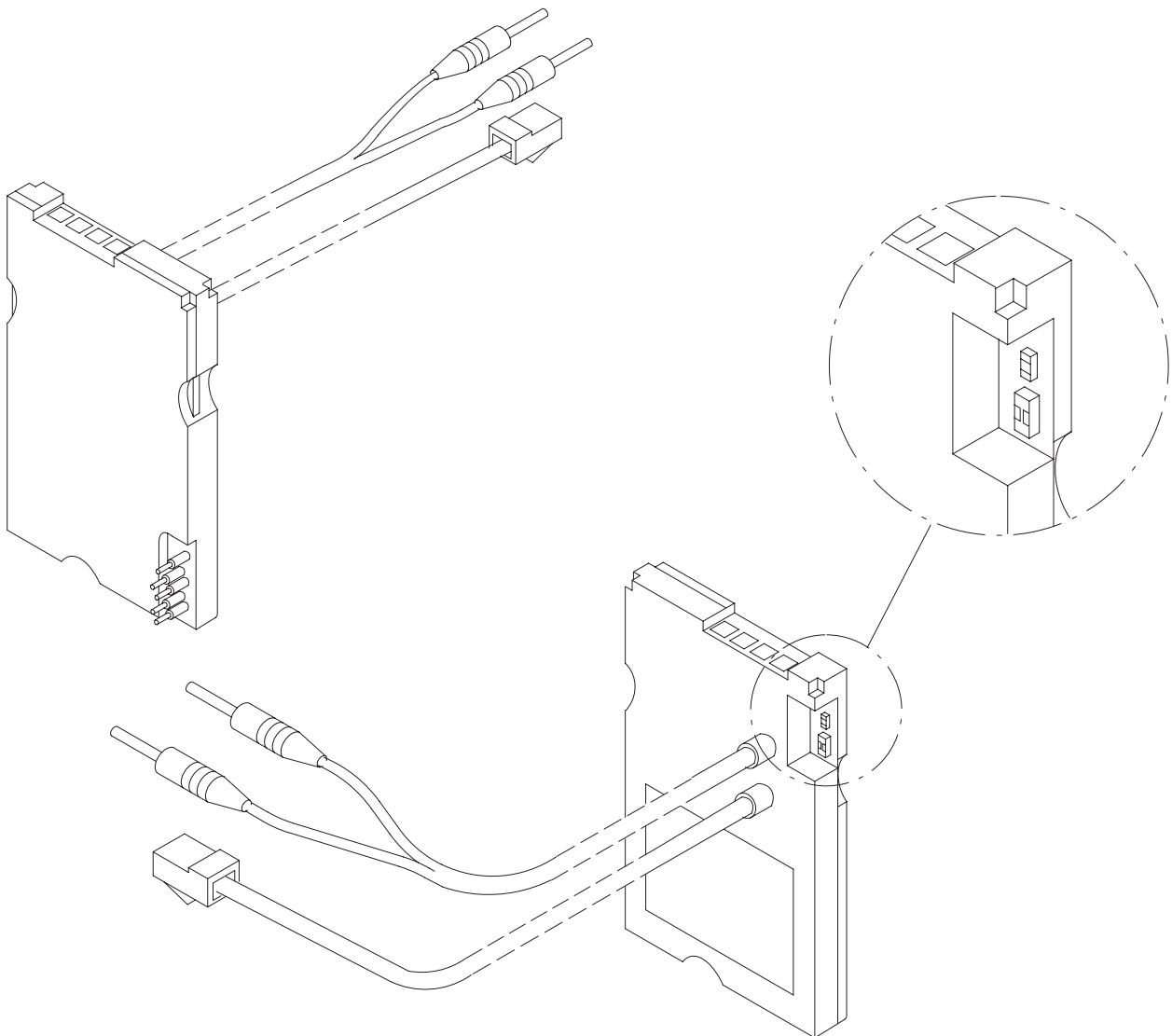
The zoom in picture contains two changeable over voltage protection components:

SM Fuse F2.0 A 32V 1206 F 001 T	5119002 (larger of the two)
VWM 5.6V VC15.5 R 008 T	1825019

Product Code

Flash Battery BBF-1:	0775206
----------------------	---------

View of BBF-1



*Note: The nominal supply voltage for BBF-1 is +8.0 V.
The supply voltage must not exceed +15.0 V.
(BBF-1 has overvoltage protection).

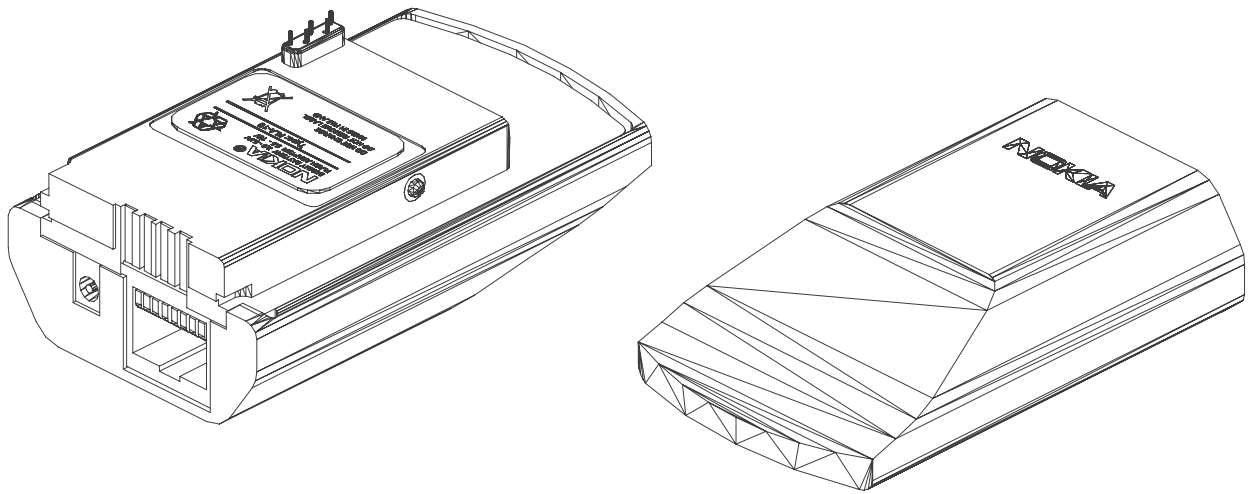
Flash Loading Adapter FLA-10

The Falsh Loading Adapter FLA-10 is used in place of the phone's normal battery during service, to supply a controlled operating voltage.

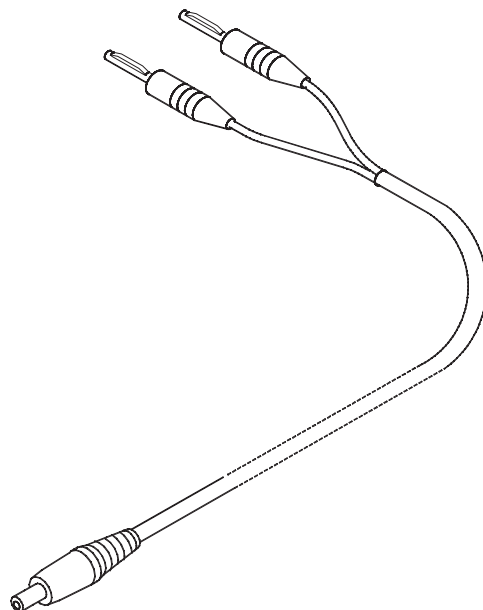
Sales package code

Falsh Loading Adapter FLA-10:	0081346
Sales package contains:	
Falsh Loading Adapter FLA-10 (bulk)	0770229
DC Cable FLC-2	0730185

View of FLA-10



View of FLC-2



Battery Connector Extractor Tool SRT-3

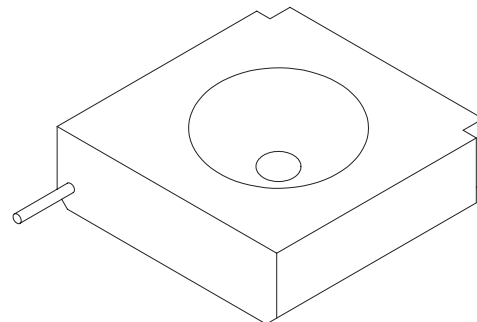
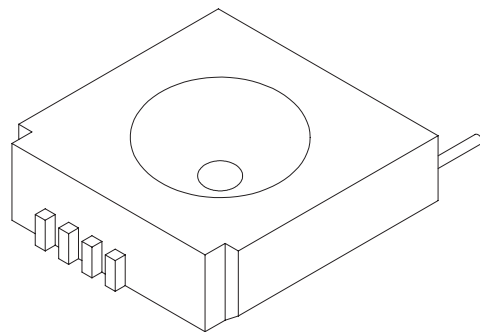
The Battery Connector Extractor Tool is used to remove the antenna or battery connector from the frame.

Product Code

Battery Connector Extractor Tool SRT-3:

0770226

View of SRT-3



Flash Loading Adapter FLA-7 (Sales Pack)

The Flash Loading Adapter FLA-7 is used with the Service Battery BBD-3 and Service Cable SCH-5. Power is supplied to FLA-7 from the Flash Security Box TDF-4 via the DC cable PCC-1, (The PCC-1 cable can be replaced with a Travel Charger ACH-6), and is connected to the Flash Prommer FPS-4S with the cable AXS-5.

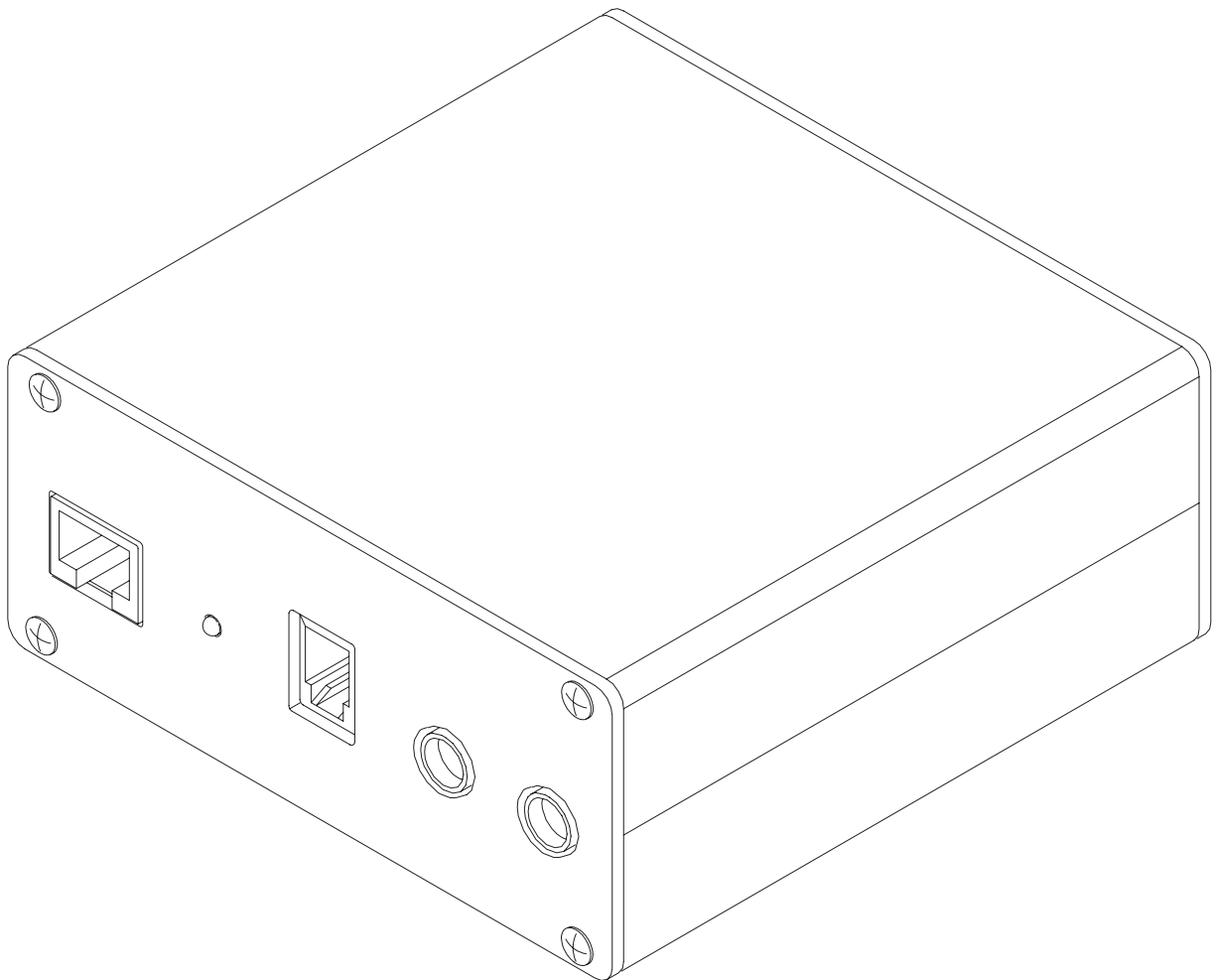
The sales pack includes:

- | | |
|-------------------------------|---------|
| - Flash Loading Adapter FLA-7 | 0770119 |
| - Service Cable XCM-5 | 0730142 |
| - Power Cable SCF-7 | 0730141 |
| - Service Cable assy AXS-5 | 0730091 |

Sales package code

Flash Loading Adapter FLA-7: 0080326

View of FLA-7



Flash Prommer FPS-4S (Sales Pack)

The Flash Prommer FPS-4S is used to update the main software of the phone. Updating is done by first loading the new MCU software from the PC to the flash prommer, and then loading the new SW from the prommer to the phone. When updating more than one phone in succession, the MCU software only needs to be loaded to the prommer once.

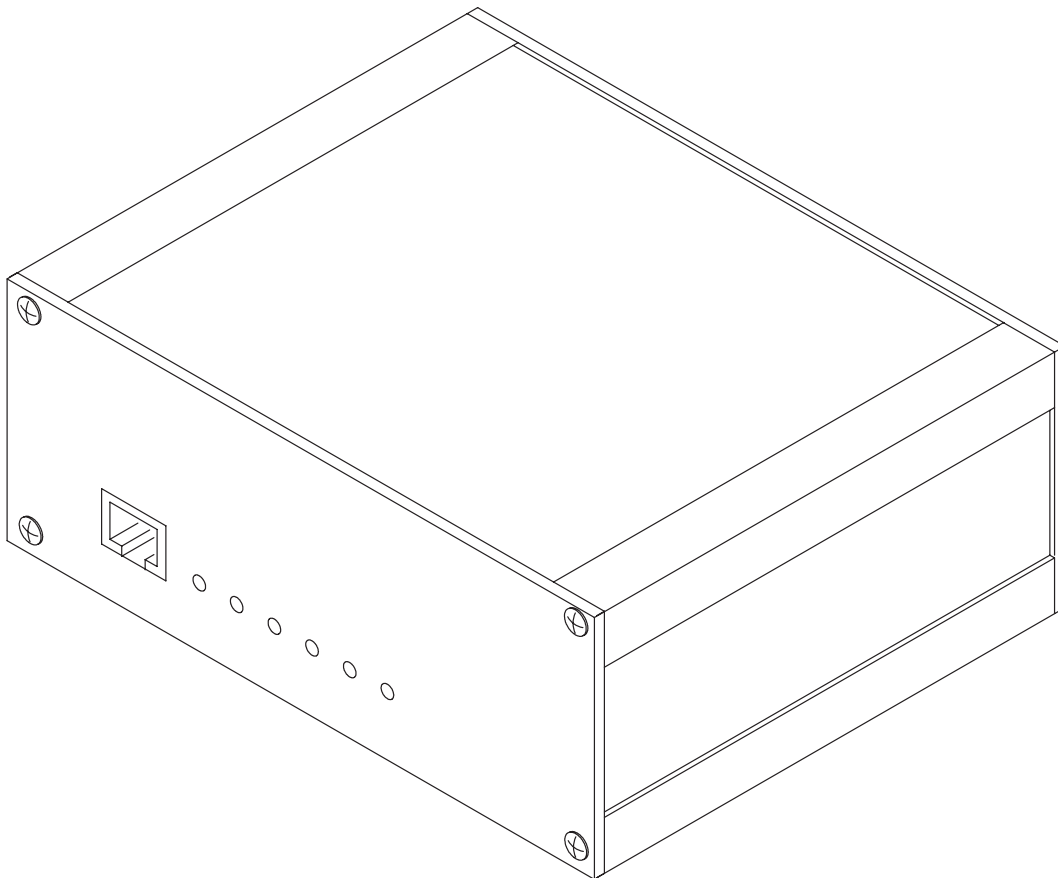
The sales pack includes:

- Flash Prommer FPS-4	0750090
- Charger ACL-3E	0680015
- Printer cable IBM DB25F/57-30360	0730029
- D9 - D9 Cable AXS-4	0730090
- Flash Prommer software 3" disk	0774043
- Flash Device Support 3" disk	0774228

Sales package code

Flash Prommer FPS-4S:	0085095
-----------------------	---------

View of FPS-4



Security Box TDF-4

The Security Box TDF-4 is required for updating MCU software, and infra red testing.

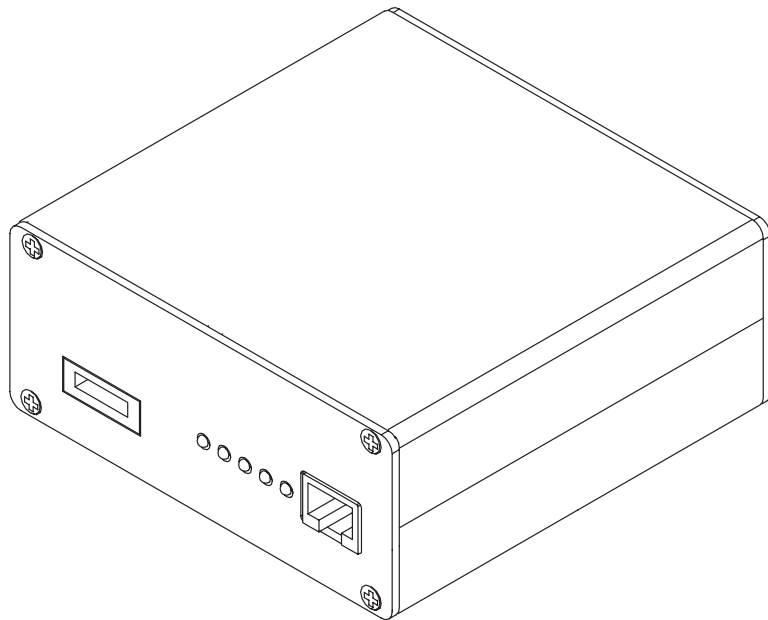
Note 1: TDF-4 is delivered in de-activated mode. Fill in the enclosed Activation Request Form, and fax to NMP Salo to get the activation code

Note 2: The infra red module JLP-1 (P/N 0750079) is not included in the TDF-4 sales package

Product Code

Security Box TDF-4: 0770106

View of TDF-4



View of IR Data Interface Module JLP-1

IR Data Interface Module JLP-1 fits in the Security Box TDF-4 and can be used to perform IR tests with WinTesla.

Product Code

IR Data Interface Module JLP-1: 0750079



Service Cable AXS-4

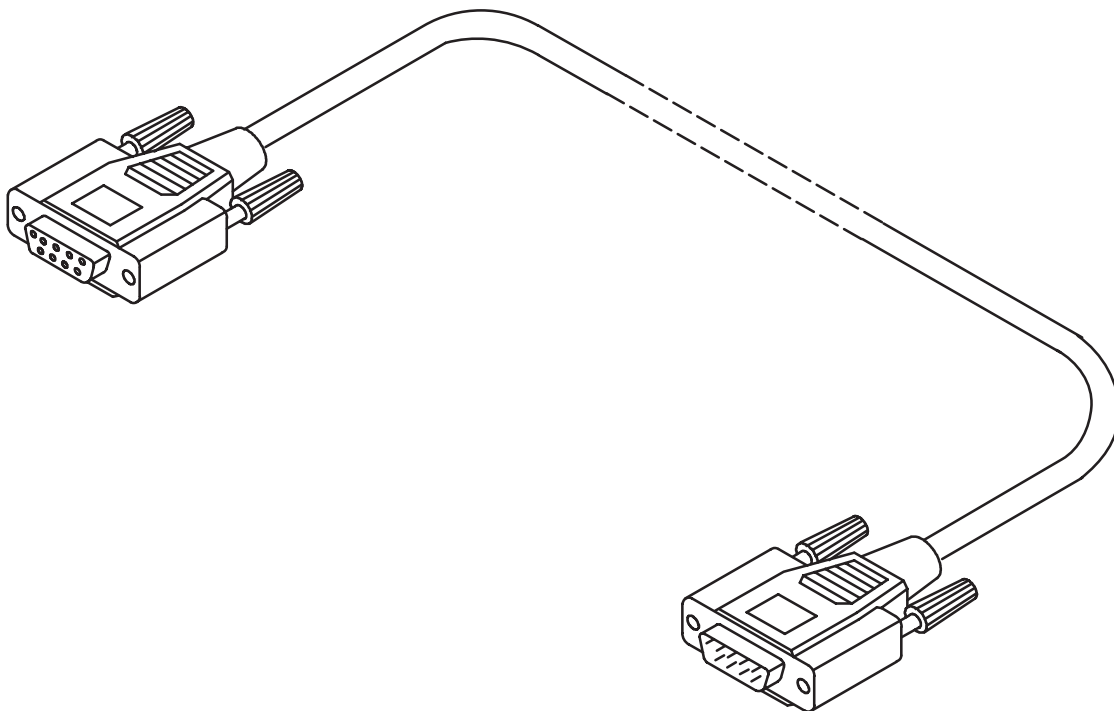
The D9-D9 Service Cable AXS-4 is used to connect two 9 pin D connectors e.g. between PC and TDF-4 security box. Cable length is 2 meters.

Product code

D9-D9 Service Cable AXS-4

0730090

View of AXS-4



Service Cable AXS-4U

The D9-D9 Service Cable AXS-4U is used to connect two 9 pin D connectors e.g. between PC's serial port and FLS-2D. Cable length is 30 cm.

Product code

D9-D9 Service Cable AXS-4U

0730163

View of AXS-4U



D15-D15 Cable AXS-5

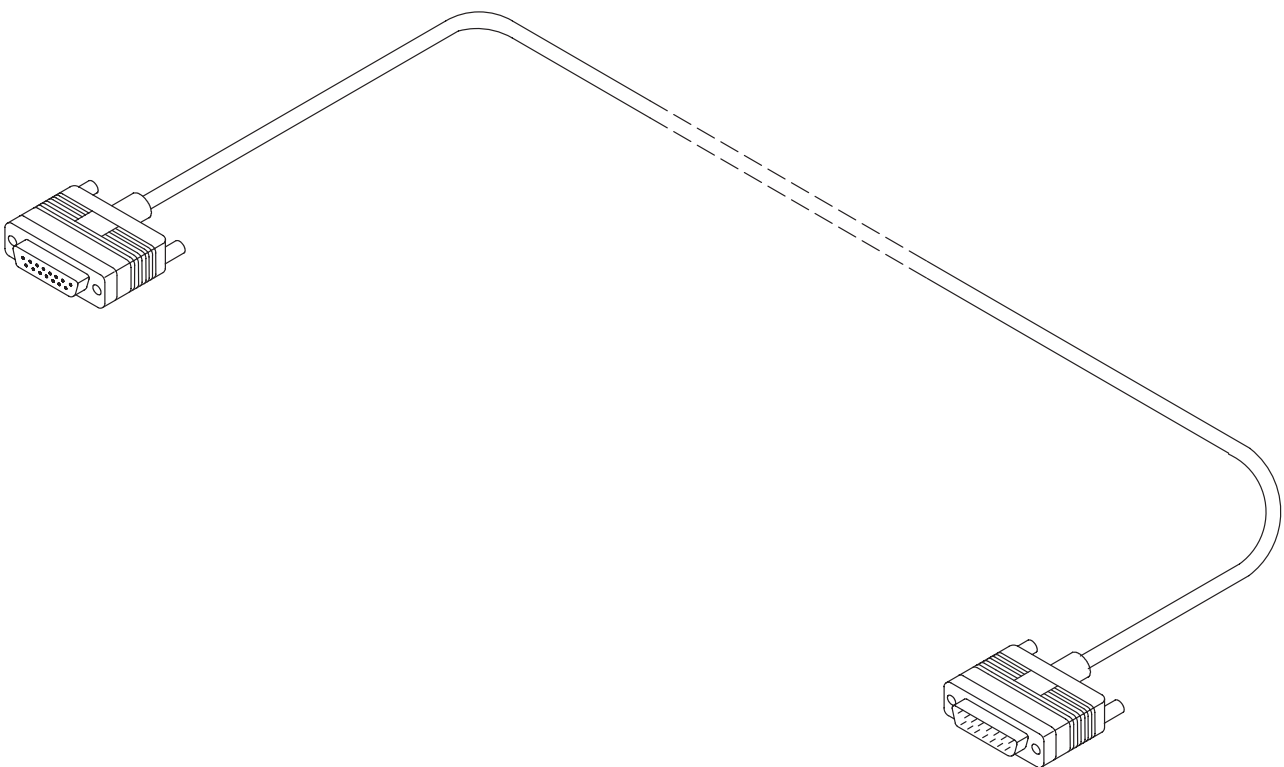
The D15-D15 Cable AXS-5 is used to connect two 15 pin D connectors. e.g. between FLA-5/7 and FPS-4S.

Product Code

D15-D15 Cable AXS-5:

0730091

View of AXS-5



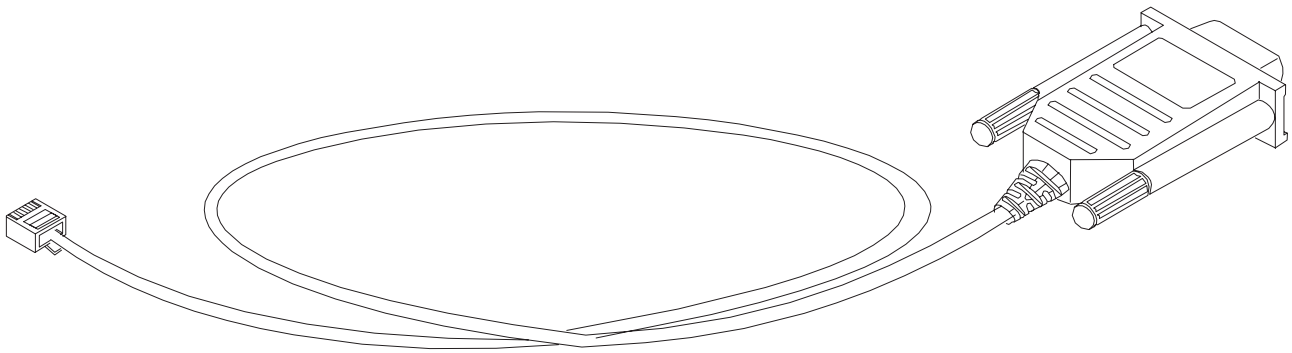
MBUS Cable DAU-9S

The MBUS Cable DAU-9S has a modular connector, and is used with the service Audio Box JBA-4, or a modular T-adapter.

Product Code

MBUS Cable DAU-9S: 0730108

View of DAU-9S



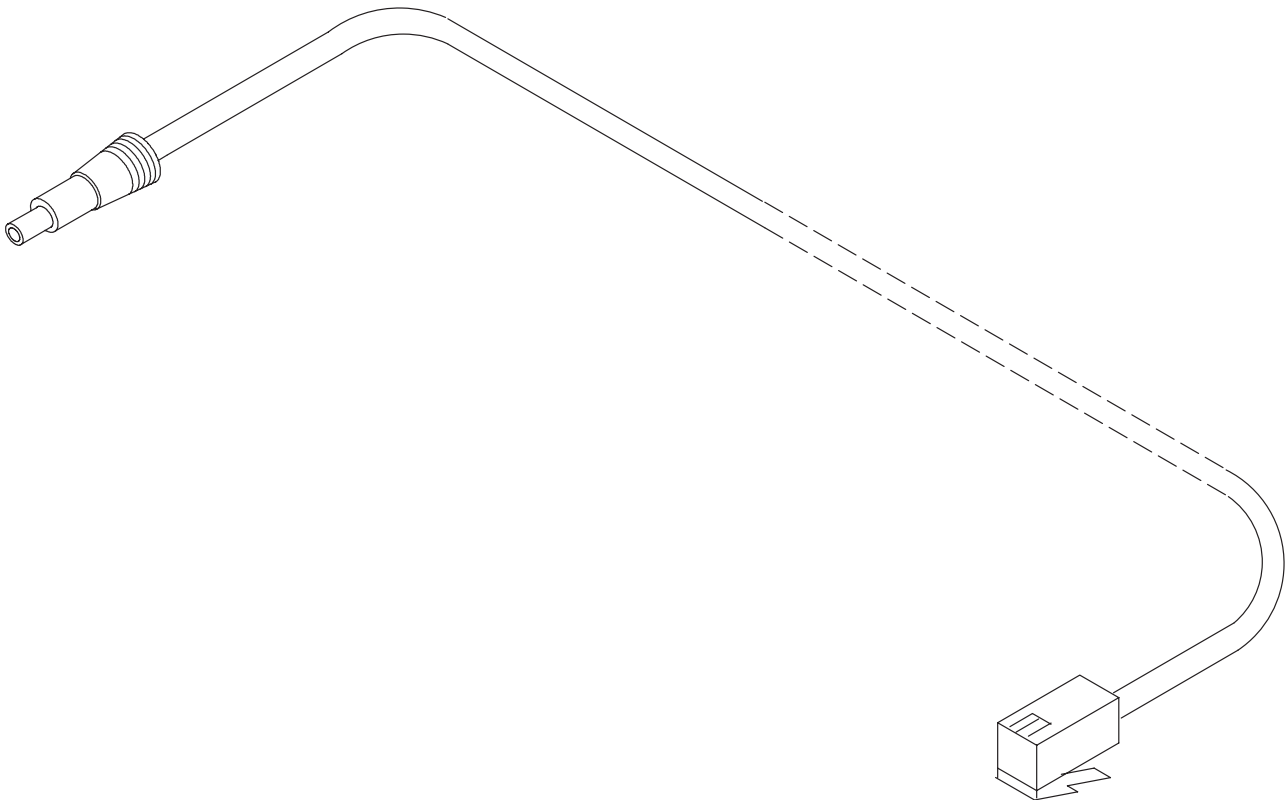
DC Cable AXD-1

The DC Cable AXD-1 is used e.g. to connect FLA-7 and TDF-4.

Product Code

DC Cable AXD-1: 0730144

View of AXD-1



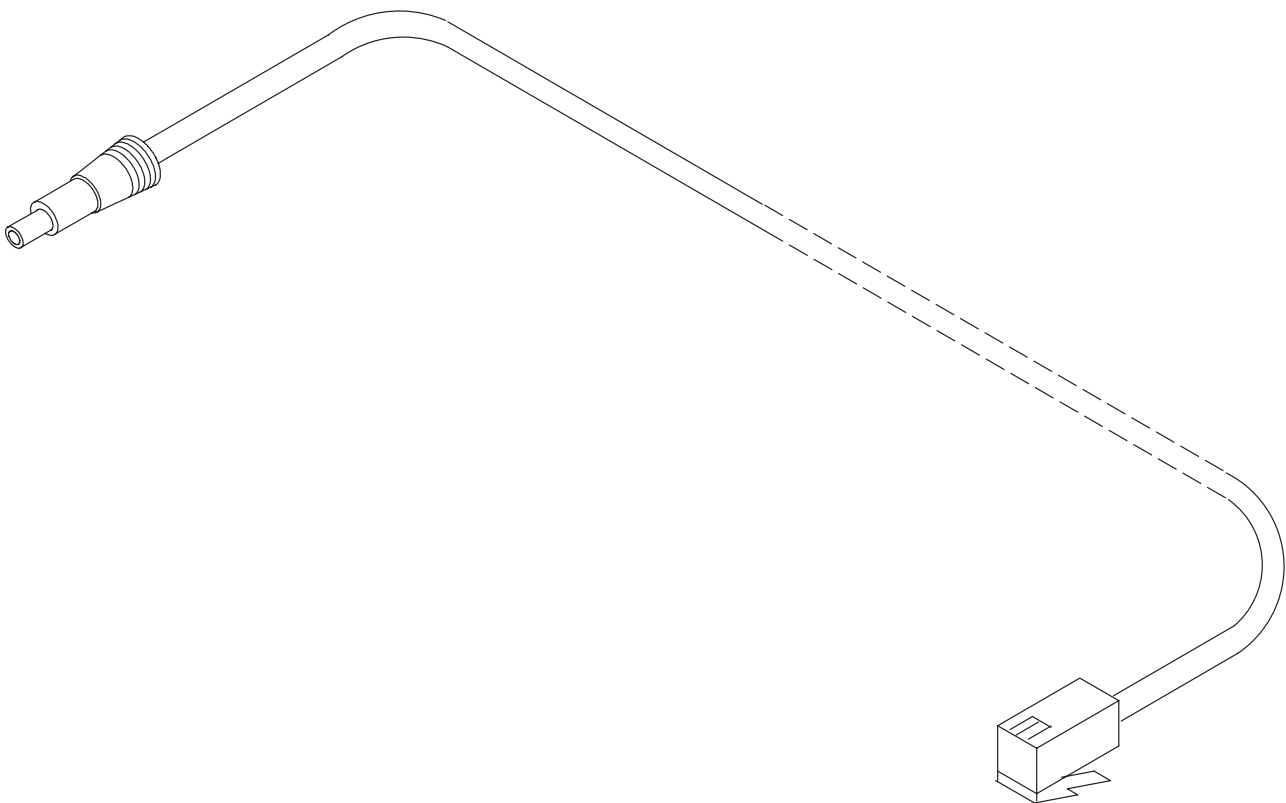
DC Charging Cable PCC-1B

The DC Cable PCC-1 is used e.g. to connect FLA-5 and TDF-4.

Product Code

DC Cable PCC-1B (with modular RJ connector): 0730053

View of PCC-1B



Power Cable PCS-1

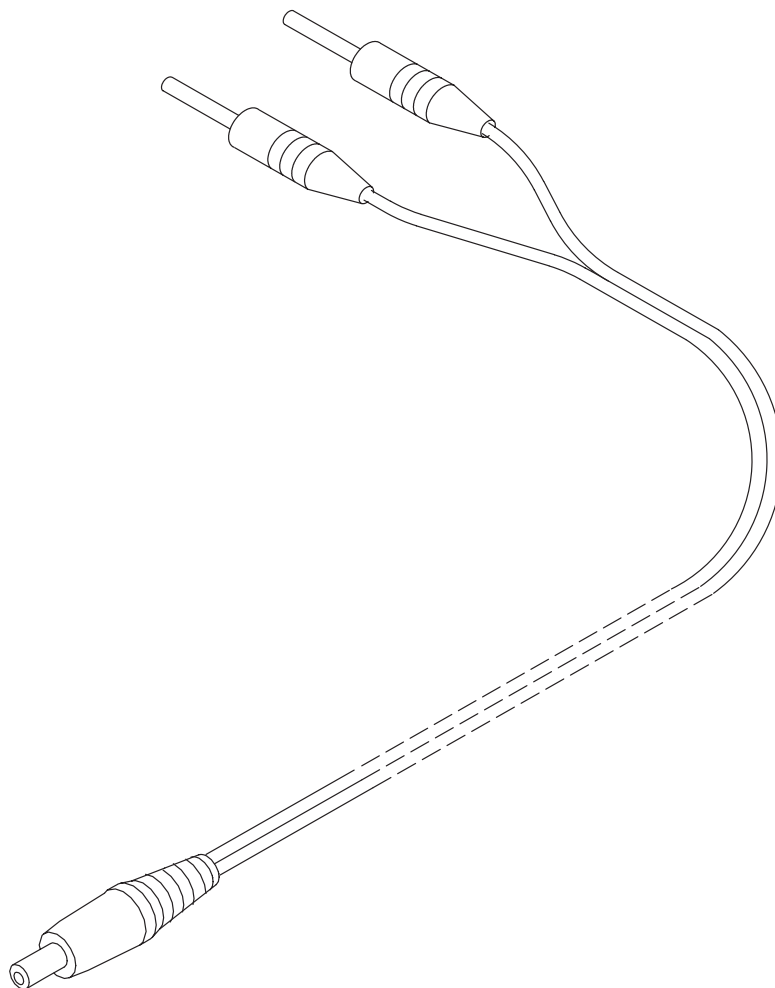
The Power Cable PCS-1 is used to connect the module jigs MJS-9 and JBU-6 to an external power supply. Can be used with FPS-4 also.

Product Code

Power Cable PCS-1:

0730012

View of PCS-1



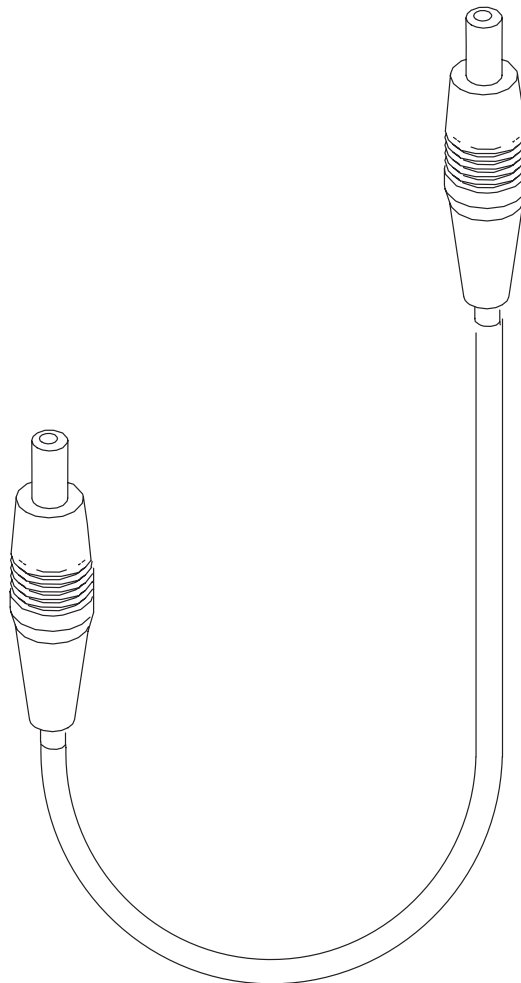
DC Cable SCB-3

The DC Cable SCB-3 is used to connect the Service Battery to the charger connection Vin of the phone when doing the charger calibration service procedure.

Product Code

DC Cable SCB-3: 0730114

View of SCB-3



Service Cable XMS-3

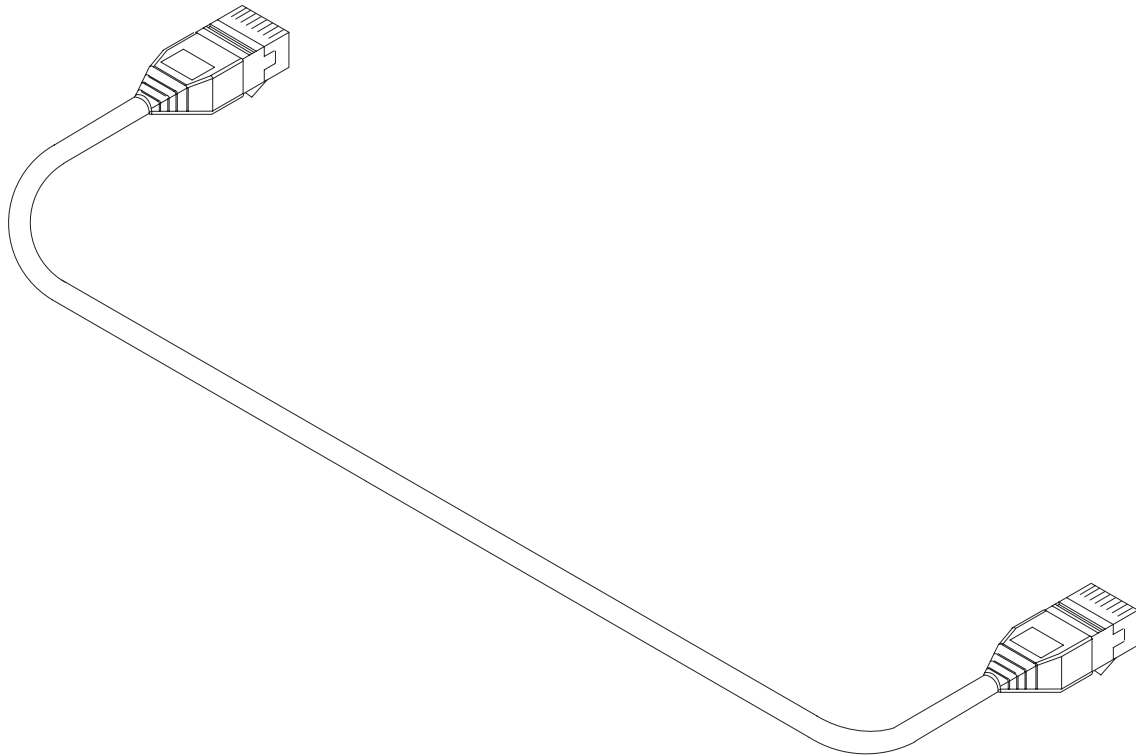
XMS-3 is a modular cable for flashing and service purposes.

Product code

Service Cable XMS-3:

0730174

View of XMS-3



RF Cable XRF-1

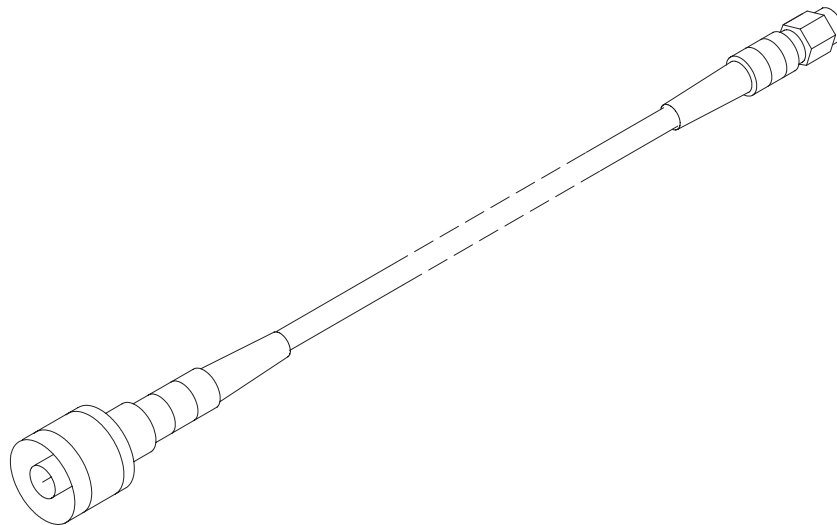
RF cable XRF-1 is used to connect RF Test adapter AAT-8 or Test frame MJS-9 to RF measurement equipment..

Product code

RF Cable XRF-1:

0730085

View of XRF-1



RF Cable XRS-3

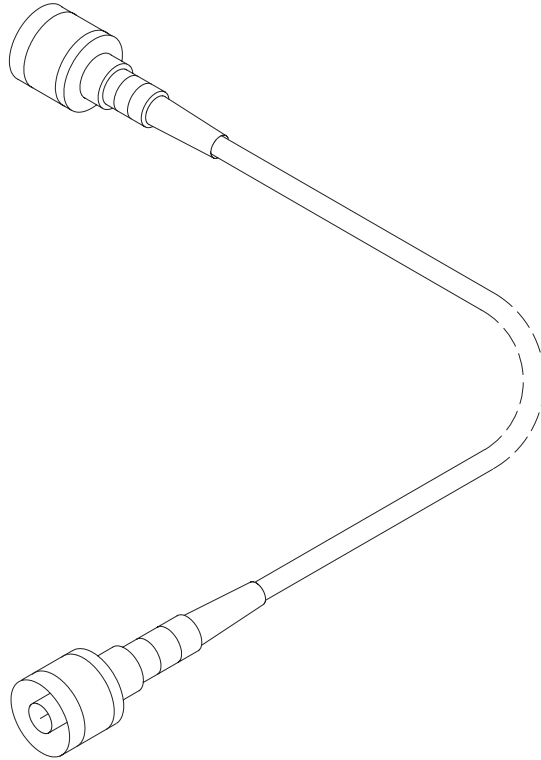
RF cable XRS-3 is used to connect JBU-6 Service Box to RF measurement equipment.

Product code

RF Cable XRS-3:

0730184

View of XRS-3



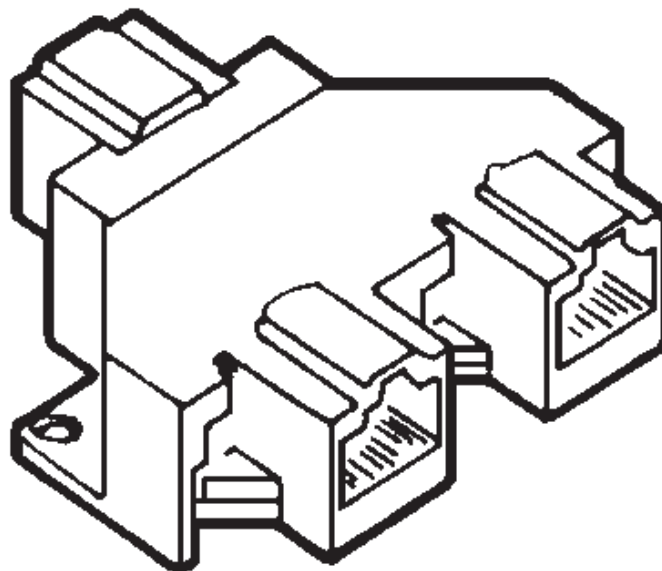
Modular T-adapter

The modular T-adapter is a suitable branching unit to provide the needed parallel modular connections.

Product Code

Modular T-adapter: 4626134

View of Modular T-adapter



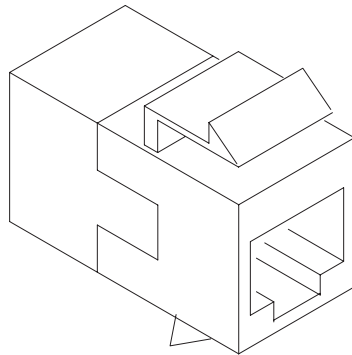
Modular Cable Jack Connector

The Modular Cable Jack Connector is a suitable for connecting two Service Flash Batteries (BBF-1) together in Warranty Transfer.

Product Code

Modular Cable Jack Connector
(available eg. as AMP code: P/N 555052-1)

View of Modular Cable Jack Connector



SW Security Device PKD-1

SW security device is a piece of hardware enabling the use of the service software when connected to the parallel (LPT) port of the PC. Without the dongle present it is not possible to use the service software. Printer or any such device can be connected to the PC through the dongle if needed.

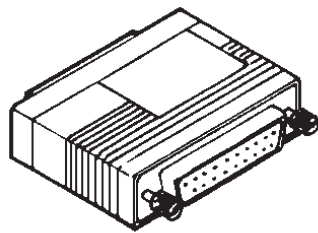
Caution: Make sure that you have switched off the PC and the printer before making connections!

Caution: Do not connected the PKD-1 to the serial port. You may damage your PKD-1!

Product Code

SW Security Device PKD-1: 0750018

View of SW Security Device



G0750018

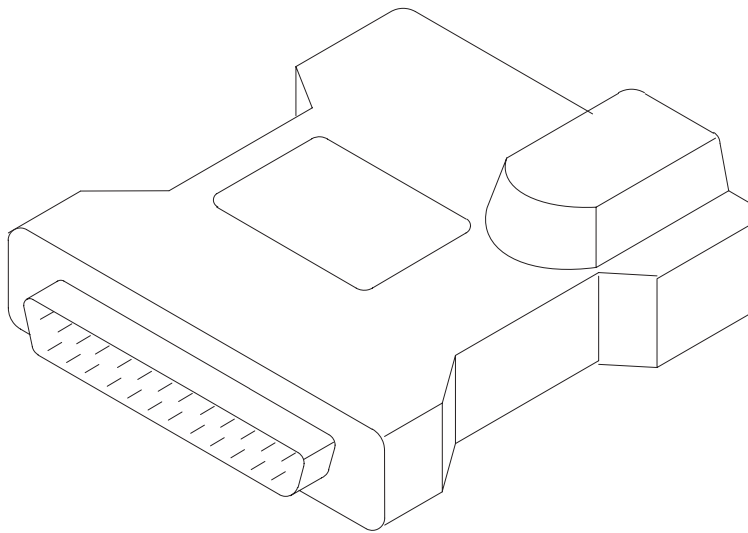
FLS-4 POS (Point Of Sale) Flash Device (Sales Pack)

FLS-4 is a dongle and flash device incorporated into one package, developed specifically for POS use.

Product Code

Sales Pack - Europe/Africa	0081483
Sales Pack -APAC	0081481
Sales Pack -Americas	0081482

View of FLS-4



This page intentionally left blank.